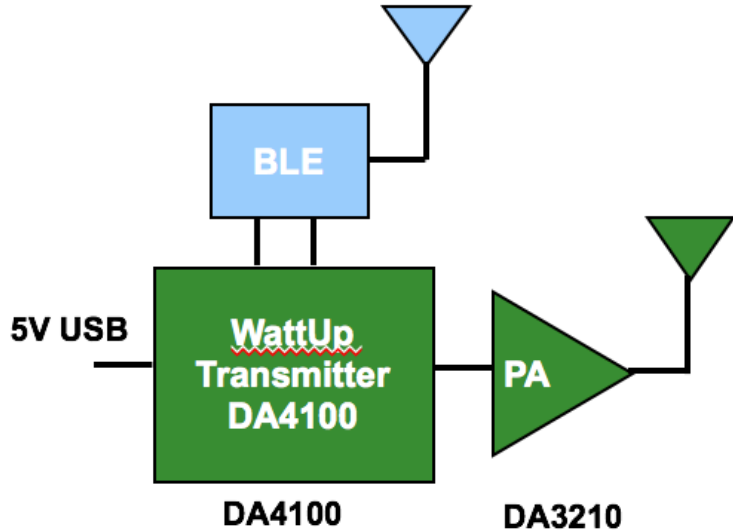
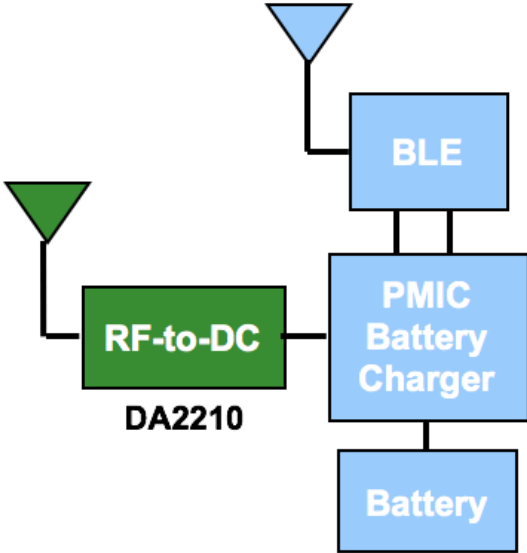


Near Field System Diagram

WattUp Scalable Near Field Transmitter



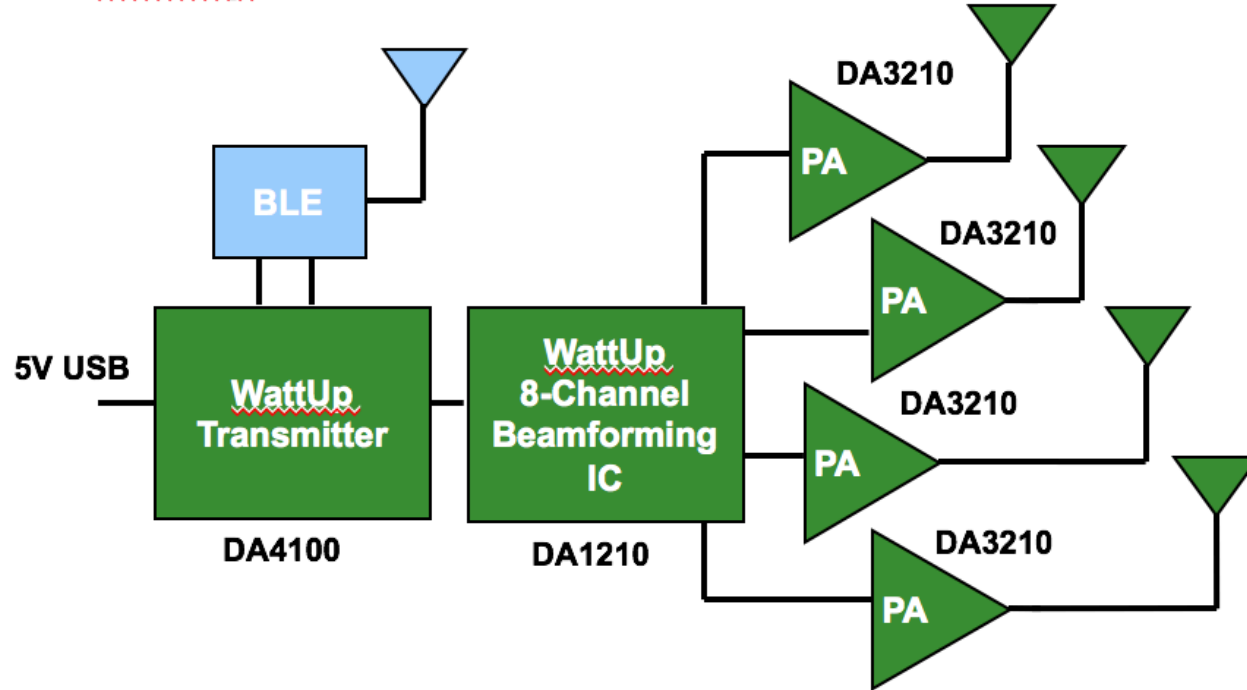
WattUp Receiver



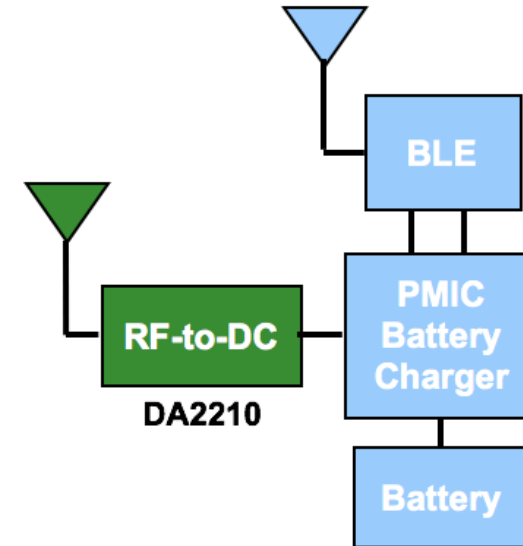
Scale number of PAs and antennas dependent upon coverage area required.

Mid Field System Diagram

WattUp Scalable Mid Field Transmitter



WattUp Receiver



Scale number of DA1210s Beamforming ICs and DA3210 PAs and antennas dependent on amount of power to be delivered and the range.